

Do you have these issues with your dosing circuit?

- Blockages in the take off line

Then the eDART three-way dosing dart valves will benefit you. Typically, rock lime (alkaline) in a ring main is continuously pumped around the circuit because it tends to settle and separate. Normally a T piece is inserted into the line (called a take-off line) and the flow is controlled with a standard valve such as a knife or butterfly. When the valve is closed the line is filled up with the stagnant lime and blocks. The dosing valve eliminates this by being located directly in the ring main. As the valve opens the vertical take-off line fills up. When closed, the line drains under gravity and does not leaving a pocket of pipe that can solidify.

Features

- Self-flushing
- Compact design
- Removable bonnet for easy maintenance; valve body remains in the process line
- Anti-Rotation device
- Stroke indication

Standard mainline pipe sizes

- 50 mm to 400 mm

Materials of construction

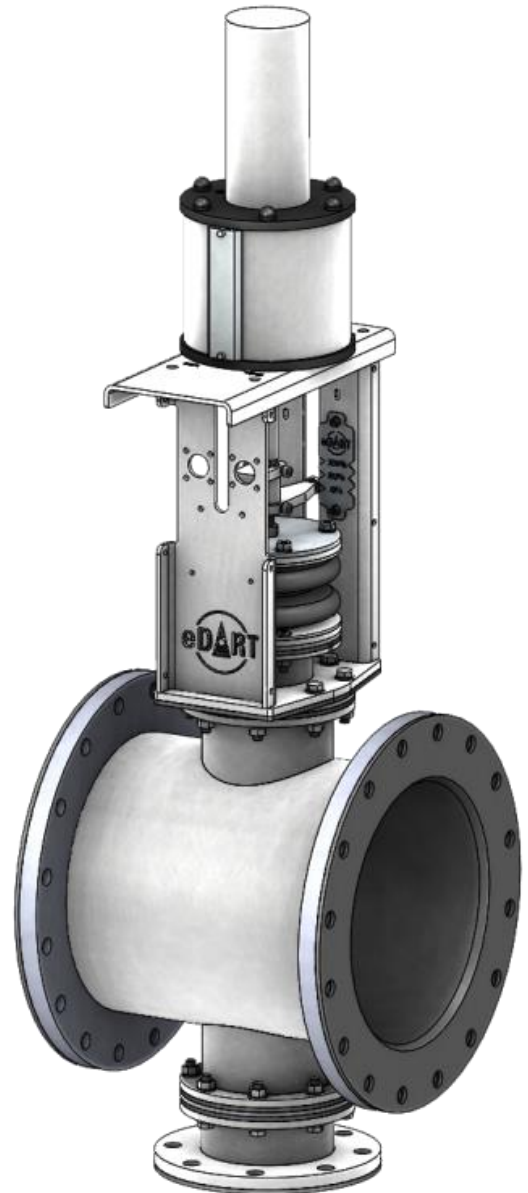
- Mild steel body
- Lining
 - rubber
 - Ceramics
 - Polyurethane
- Two coat phenoline painted body
- StSt valve shaft and positioner mounting
- Polyurethane coated plug and seat

Options

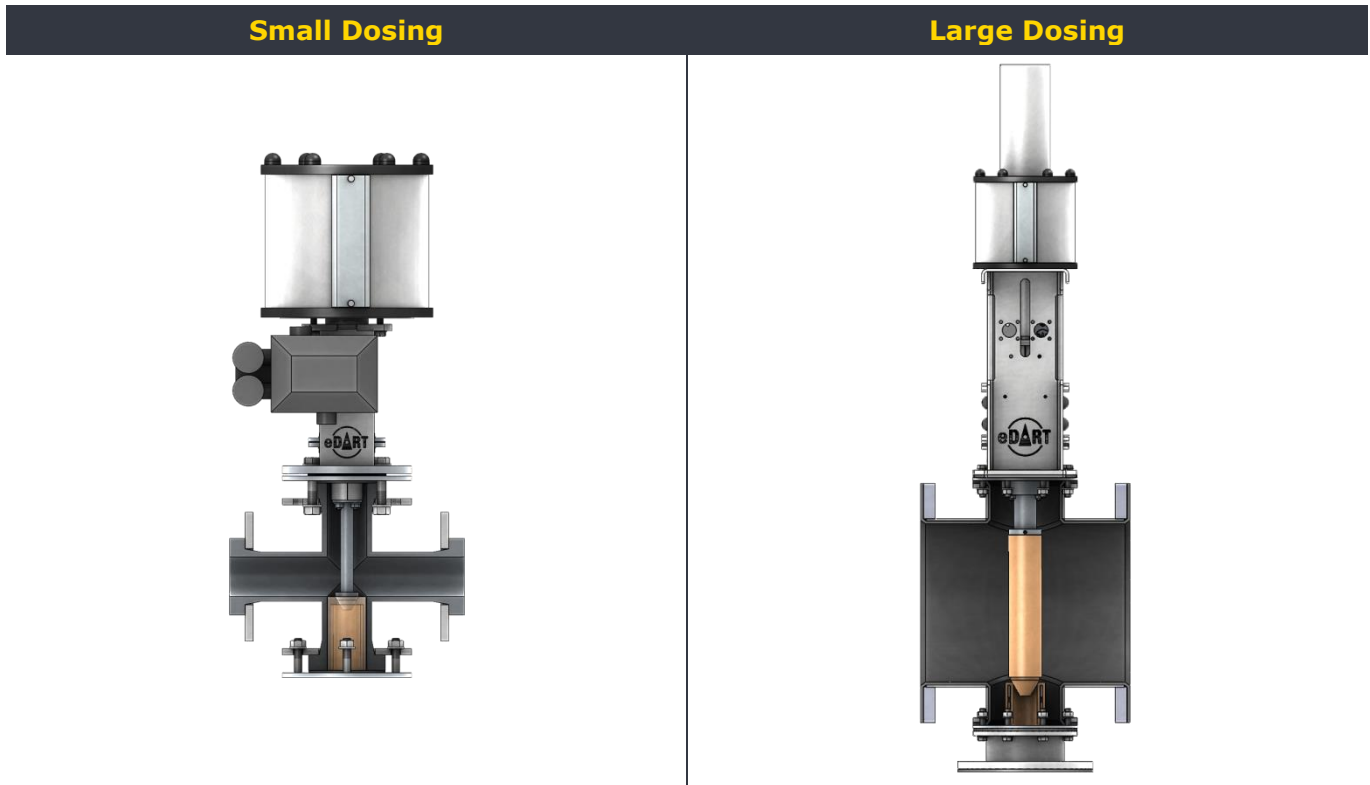
- Control or on/off
- Various flange and drilling options
- Smart (HART, Profibus), electro-pneumatic (4-20mA), pneumatic (20-100kPa) positioner
- Bias spring fail closed, fail fixed or double acting actuator options

Applications

- Rock-lime dosing
- PH control



Variations



Technical Data

Size	CV _{max}
100	176
150	429
200	840
250	1,400
300	1,830
350	2,650
400	3,320
450	4,310
500	5,060
600	6,950

Benefits

Large Actuators	Engineered Feedback	Seat Cage
The actuators are sized to provide stiff modulating capability, sufficient stroke and good resolution to improve control and stability.	The mechanical linkages are designed to provide accurate linear response and may be replaced with an internal electrical transducer within the actuator when size demands.	The replaceable cage guides the plug head where it matters and does away with troubles of slurry filled and sticky shafts guide blocks