



eDART's External Valves

*Dual and Single eDart valves control the level in flotation machines
They bolt to the outside of the tank*



eDART's external valves are:

- suitable for retrofitting when you need to upgrade and increase your throughput
- safe for maintenance since work is not done in a confined space
- used in a bypass system to isolate individual tanks from the stream for complete maintenance without taking the bank down
- optimised for fine control of slurry and can use intelligent signal splitting to simplify the control and reduce wear and thus increase the maintenance period
- easy to maintain since the bolt down seat is eliminated by a clamped seat cage arrangement

Do you have these issues?

- Bouncing or vibration of valves
- Excessive wear on the valve
- Tank outlet sanding
- Valve saturating and flotation machine sliming
- Valve operating close to the seat
- Maintenance problems
- Not controlling within 2.5% of set point

Then you have poor level control and eDART's external valves will benefit you

Optimising Plant Performance

eDART's External Valves

Large Actuators

The actuators are sized to provide stiff modulating capability, sufficient stroke and good resolution which improves control and stability.

Customised

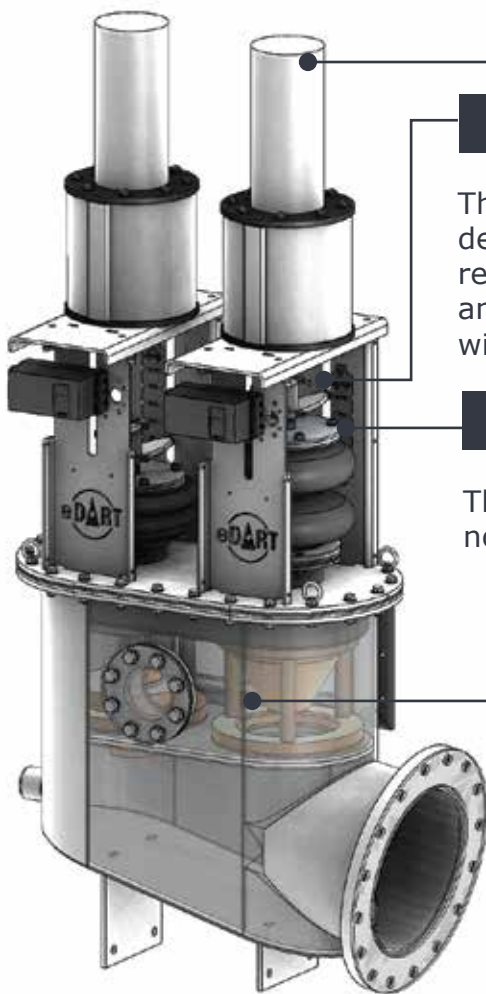
Body customised to plant layout.

Engineered Feedback

The mechanical linkages are designed to provide accurate linear response and may be replaced with an internal electrical transducer within the actuator.

Stroke Indication

The valve position may easily be noticed and recorded.



Cage Guided Plugs

The plugs are guided on the head and not the shaft guided for higher stability and vibration reduction.

Plug and Seat

The plug has a conical shape to give a linear flow characteristic. The seat is precision moulded to reduce the sealing force and match the plug shape.